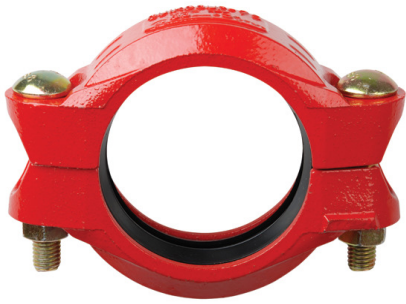
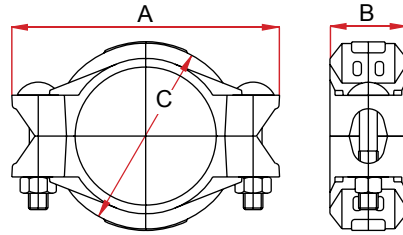


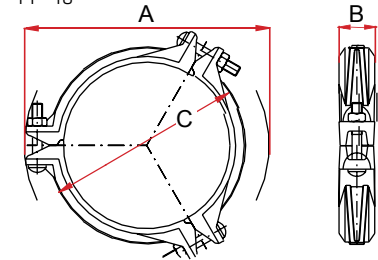
COUPLINGS / Style 75 (FLEXIBLE / FLEXIBEL / FLEXIBEL)



1 1/4"-12"



14"-16"



LIGHTWEIGHT FLEXIBLE COUPLING

Maximum working pressure: 34.5 bar
For fire protection equipment and approved pressure ratings please contact Modgal.

LEICHTE FLEXIBLE KUPPLUNG

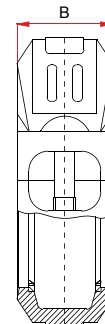
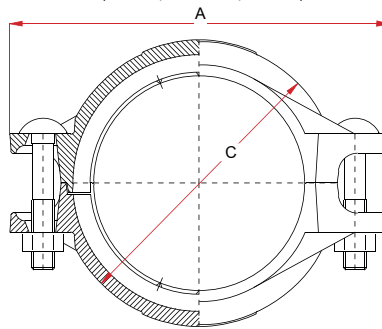
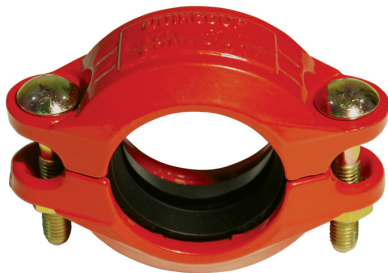
Maximaler Betriebsdruck: 34.5 bar
Die Brandschutzzulassungen und die Zulassungsnenn drücke erhalten Sie bei Modgal.

LICHTGEWICHT FLEXIBELE KOPPELING

Maximale werkdruk: 34.5 bar
Contacteer Modgal voor toegelaten druk- klassen voor brandbeveiligingstoepassingen.

Nominal Size (Inches / DN)	Pipe Outside Dia.	Coupling Dimensions			Bolts			Max. End Load in Newton ‡	Allowed Pipe End Separation mm ¶	Max. Deflection (from center line)		Weight Kg ⁵	Approvals
		A	B	C	No.	Size x Length	Degrees per Cplg			Cm per 6 mtr. pipe.			
1 1/4" / 32	42.4	104.0	46.0	70.0	2	M10 x 51.0	4823	0 - 3.2	4°10'	44.2	0.68	FM / UL / LPCB / VDS	
1 1/2" / 40	48.3	114.0	46.0	78.0	2	M10 x 51.0	6318	0 - 3.2	3°56'	42.1	0.80	FM / UL / LPCB / VDS	
2" / 50	60.3	125.0	46.0	91.0	2	M10 x 51.0	9847	0 - 3.2	3°25'	35.7	0.81	FM / UL / LPCB / VDS	
2 1/2" OD	73.0	142.0	46.0	101.5	2	M10 x 51.0	14432	0 - 3.2	2°49'	29.5	0.98	FM / UL / VDS	
2 1/2" / 65	76.1	144.0	46.0	106.0	2	M10 x 51.0	15725	0 - 3.2	2°23'	26.5	1.02	FM / UL / LPCB / VDS	
3" / 80	88.9	161.5	46.0	118.5	2	M12 x 76.0	21404	0 - 3.2	1°05'	11.3	1.34	FM / UL / LPCB / VDS	
4" OD	108.0	198.0	51.0	144.0	2	M12 x 76.0	31589	0 - 6.4	2°30'	26.7	1.97	FM / UL / VDS	
4" / 100	114.3	198.0	50.0	150.0	2	M12 x 76.0	35382	0 - 6.4	3°23'	35.4	1.94	FM / UL / LPCB / VDS	
5" OD	133.4	238.0	52.5	172.5	2	M16 x 89.0	48195	0 - 6.4	1°40'	17.4	3.18	FM / UL	
5" / 125	139.7	245.5	52.0	179.5	2	M16 x 89.0	52854	0 - 6.4	2°45'	28.8	3.22	FM / LPCB / VDS	
6" OD	159.0	271.0	53.5	207.0	2	M16 x 89.0	68295	0 - 6.4	2°09'	22.9	3.70	FM / VDS	
6" OD	165.1	276.0	52.0	207.0	2	M16 x 89.0	73822	0 - 6.4	2°12'	23.5	3.65	FM / UL / LPCB	
6" / 150	168.3	275.5	52.0	203.0	2	M16 x 89.0	76711	0 - 6.4	1°10'	12.5	3.20	FM / UL / LPCB / VDS	
8" / 200	219.1	345.0	60.0	269.0	2	M20 x 120.0	130009	0 - 6.4	1°41'	17.6	7.14	FM / UL / LPCB / VDS	
10" / 250	273.0	410.0	67.0	338.0	2	M22 x 181.0	201843	0 - 6.4	0°40'	7.2	10.41	VDS	
12" / 300	323.9	469.0	66.0	376.0	2	M22 x 181.0	284126	0 - 6.4	0°40'	7.2	11.33	VDS	
14" / 350	355.6	519.0	73.0	415.0	3	M22 x 140.0	342462	0 - 6.4	-	-	17.73		
16" / 400	406.4	580.0	73.0	470.0	3	M22 x 140.0	447297	0 - 6.4	-	-	20.52		

COUPLINGS / Style 75RT (RIGID / STARR / STAR)



LIGHTWEIGHT RIGID COUPLING

Maximum working pressure: 34.5 bar
For fire protection equipment and approved pressure ratings please contact Modgal.

LEICHTE STARRE KUPPLUNG

Maximaler Betriebsdruck: 34.5 bar
Die Brandschutzzulassungen und die Zulassungsnenn drücke erhalten Sie bei Modgal.

LICHTGEWICHT STARRE KOPPELING

Maximale werkdruk: 34.5 bar
Contacteer Modgal voor toegelaten druk- klassen voor brandbeveiligingstoepassingen.

Nominal Size (Inches / DN)	Pipe Outside Diameter	Coupling Dimensions			Bolts			Max. End Load in Newton ‡	Allowed Pipe End Separation mm ¶	Weight Kg.	Approvals
		A	B	C	No.	Size x Length					
1 1/4" / 32	42.4	104.0	46.0	68.5	2	M10 x 57.0	4823	0 - 1	0.64	FM / UL	
1 1/2" / 40	48.3	114.0	46.0	78.0	2	M10 x 57.0	6318	0 - 1	0.78	FM / UL / LPCB / VDS	
2" / 50	60.3	125.0	46.0	90.0	2	M10 x 57.0	9847	0 - 1	0.82	FM / UL / LPCB / VDS	
2 1/2" OD	73.0	142.0	46.0	104.0	2	M10 x 57.0	14432	0 - 1	0.96	FM / UL / LPCB	
2 1/2" / 65	76.1	144.0	46.0	106.0	2	M10 x 57.0	15725	0 - 1	1.02	FM / UL / LPCB / VDS	
3" / 80	88.9	162.0	46.0	119.0	2	M12 x 76.0	21404	0 - 1	1.27	FM / UL / LPCB / VDS	
4" / 100	114.3	198.0	50.0	149.0	2	M12 x 76.0	35382	0 - 1	1.92	FM / UL / LPCB / VDS	
5" / 125	139.7	245.0	52.0	180.0	2	M16 x 89.0	52854	0 - 3	3.10	FM / UL / LPCB / VDS	
6" OD	165.1	276.0	52.0	207.0	2	M16 x 89.0	73822	0 - 3	3.44	FM / LPCB	
6" / 150	168.3	275.0	52.0	207.0	2	M16 x 89.0	76711	0 - 3	3.20	FM / UL / LPCB / VDS	
8" / 200	219.1	345.0	60.0	270.0	2	M20 x 120.0	130009	0 - 3	7.18	FM / UL / LPCB / VDS	